

# PARTS LIST

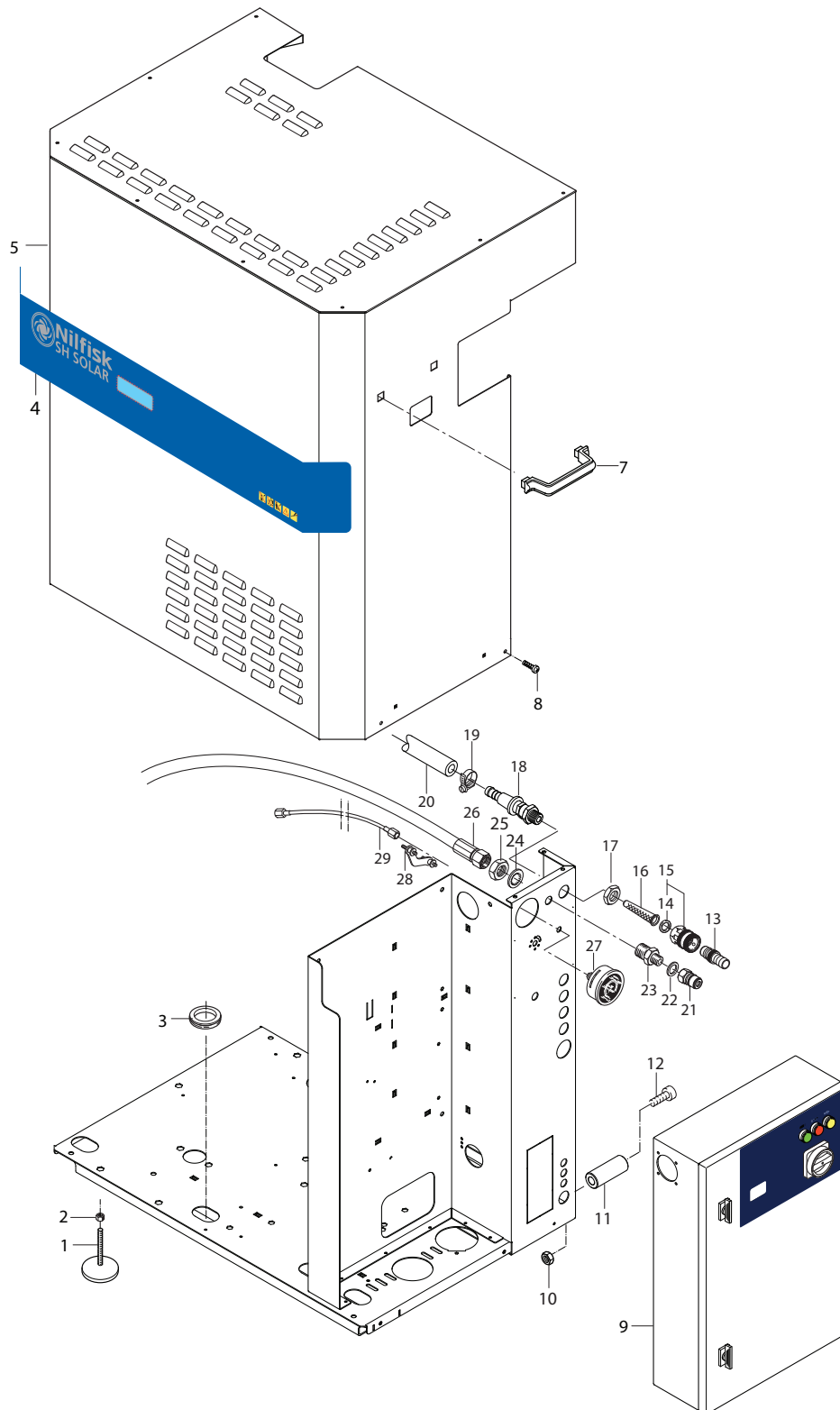


2021.08.23

# TABLE OF CONTENTS

---

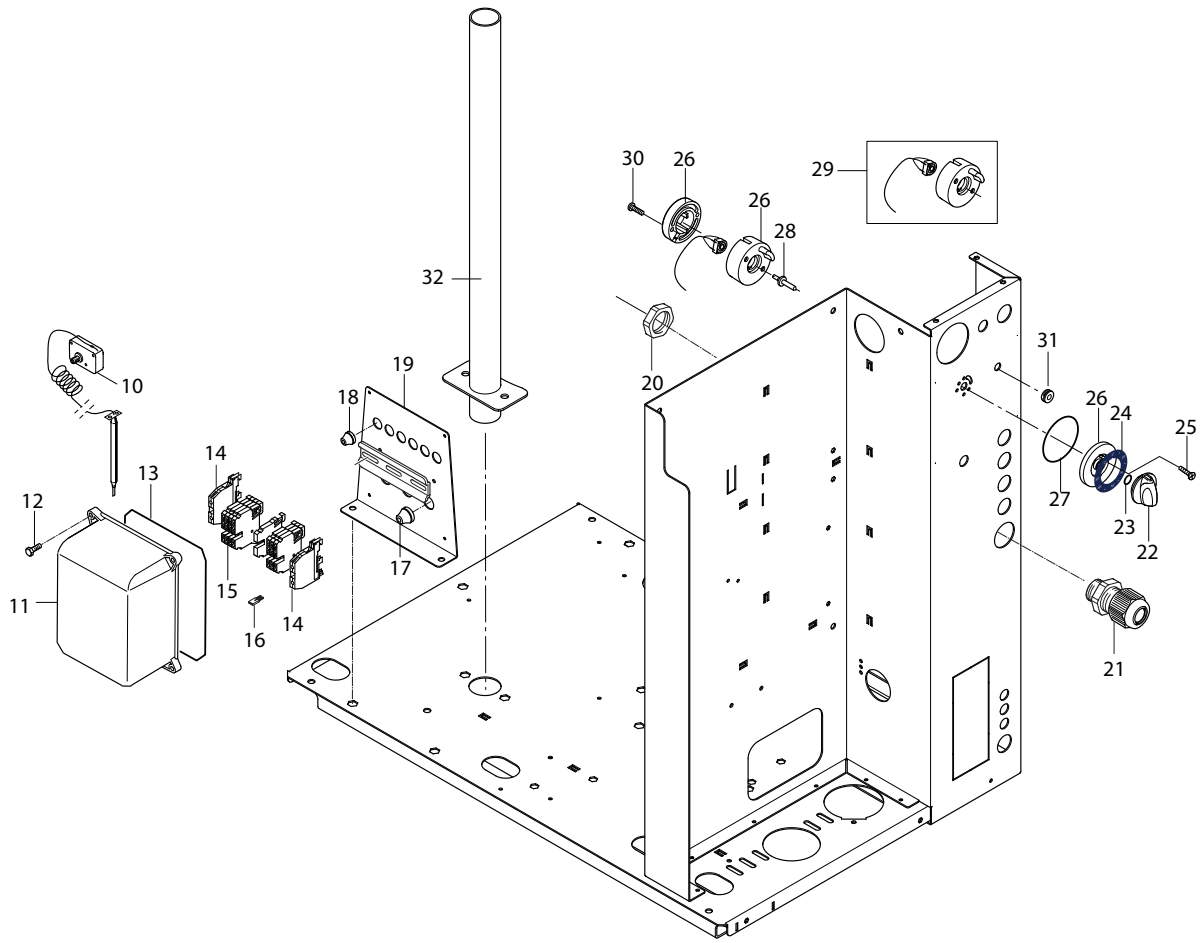
Overview 1 G and GH .....	1
Overview 2 G .....	3
Boiler G .....	5
Boiler GW .....	7
Electrical components .....	9
Fan G .....	11
Water tank D and G .....	13
Motor 5 .....	15
Cylinder block 5 .....	17
Unloader 5 .....	19
Distributor solar G (N5) .....	21
107370952 - OPTION 1x Detergent electric .....	23
107340903 - OPTION 1x Manuel detergent - 5 and 7 .....	25
107370953 - OPTION 2x Detergent electric .....	27
107370965 - OPTION Closed air intake G .....	29
107370964 - OPTION Multiply machine connection box .....	31
107370958 - OPTION No-scale .....	33
Recommended spare parts .....	35
Water lock G .....	37



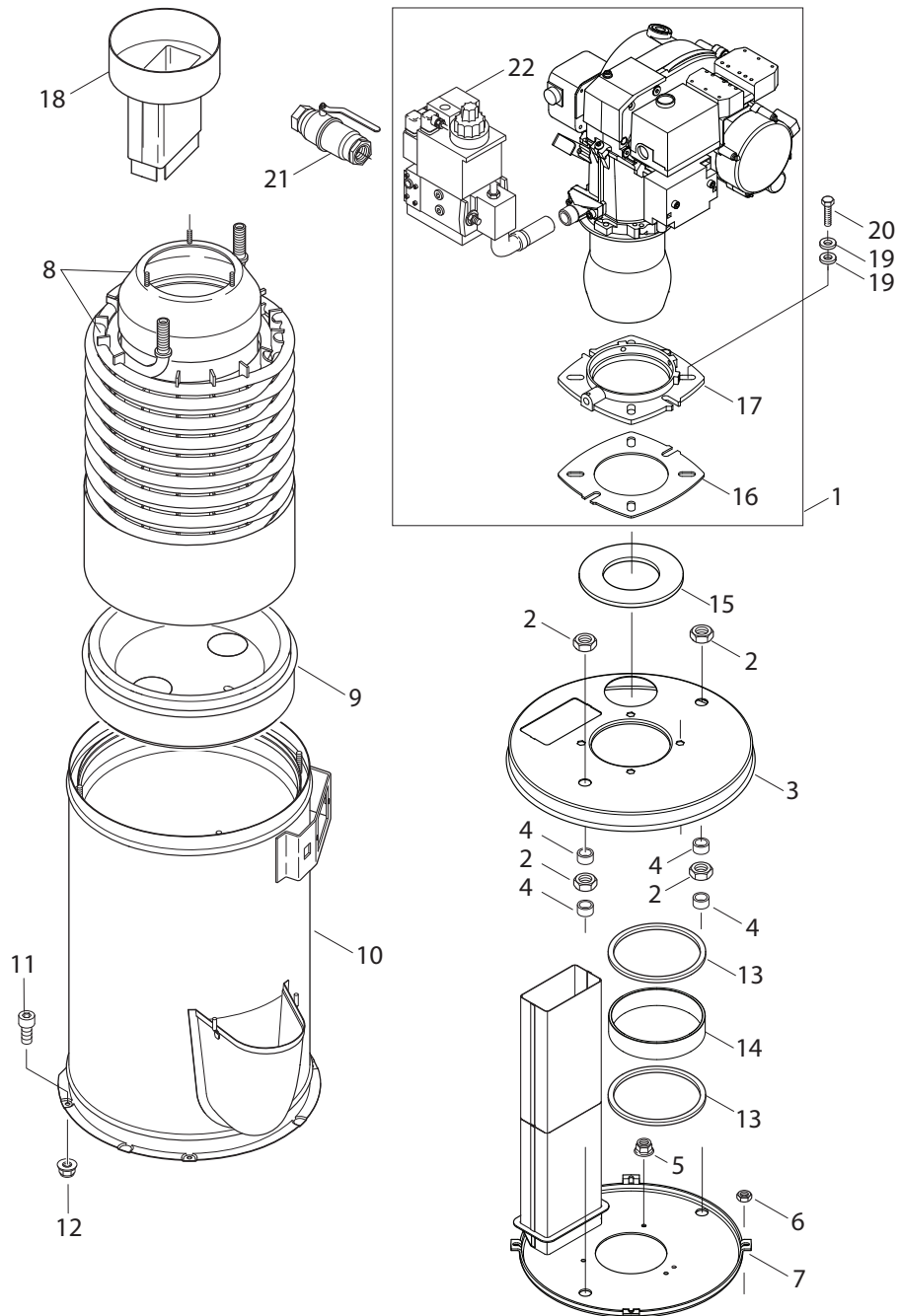
No.	Part No.	Qty.	Description	Part Note
1	4602422	4	SUPPORTING BLOCK	[1]
2	1810068	8	NUT M12	
3	103004331	2	SLEEVE PVC 45/ 60	
4	107319001	1	FRONT LABEL SH SOLAR	
5	107318084	1	CABINET SOLAR G/GH	
7	107318079	2	HANDLE FOR CABINET	
8	107143307	7	SCREW M5X16 A2 ECO-FIX FORM H	
9		1	EI-box	[2]
10	1801905	2	NUT M8 ISO 4032 A2-70	
11	107318080	2	SPACER	
12	1812296	2	SCREW M8X25 STAINLESS	
13	1600659	1	LP NIPPLE F. Q.-COUPLING 3/4IN	
14	3001237	1	GASKET Ø24.5XØ16X3 NITRIL 80SH	
15	1602945	1	QUICK COUPLING 3/4 W/GASKET	
16	6100941	2	FILTER L 7CM	
17	1800341	1	LOCK NUT 3/4IN	
18	6100937	1	FILTER HOUSING	
19	1810191	2	HOSE CLIP 13-27 A4 SS	
20	106408242	1	HOSE 5/8INCH - 2 METERS	
21	1603101	1	NIPPLE F/QUICK COUPLING 3/8 SS	
22	1801075	1	PACK.RING D23.8XD14.96 3/8NBR SELF-CENT.	
23	6200484	1	THREADED CONNECTION	
24	1810076	1	WASHER SERR. INT. M18 GALV A2K DIN6798-J	
25	1803220	1	HEXAGON NUT M18X1.5 ISO 8675 ZN	
26	107318116	1	HP HOSE DN10 950 AGR-DKL	
27	3600301	1	PRESSURE GAUGE	
28	1808088	1	CLAMP FOR PRESSURE GAUGE	
29	102406647	1	HOSE F. PRESSURE GAUGE 1050MM	

Part Notes:

- [1] - ALTERNATIV USE PN 107307415
- [2] - E-box  
See Electric parts



No.	Part No.	Qty.	Description	Part Note
10	106268028	1	EXHAUST SAFETY THERMOSTAT KIT	
11	107318081	1	COVER FOR EL-BOX SOLAR D+G	
12	1804822	4	SCREW TAPTITE M4X16	
13	101406054	1	SPONGE RUBBER Ø 4 1M	
14	3817483	2	TERMINAL STRIP EARTH. WK4 SL/U	
15	103821920	12	WIRE TERMINAL	
16	103821923	1	JUMPER 2-POL.	
17	3803772	3	CABLE GROMMET TET 7-10C	
18	3803764	6	RUBBER SEAL TET 5-7C	
19	107318082	1	BRACKET FOR EL-BOX	
20	103821842	1	T M40X1.5 PA/L.GR	
21	103821831	1	CABLE BUSHING	
22	909100204	1	ROTARY KNOB 6X5 ALTO BLUE	
23	9868	1	O-RING 10.2X2.5 NBR 70SH	
24	107319070	1	LABEL TEMP. SCALA 30-99DGC	
25	101814714	2	SCREW WN 1423 K40X16	
26	107313045	1	SOCKET COMPL.	
27	3001443	1	O-RING 60X2.62 NBR 70SH	
28	301000636	1	AXLE 15X43.5 PP	
29	101118156	1	POTENTIOMETER KIT FOR SOLAR BOOSTER	
30	1814598	2	SCREW K30X14 WN1452 BLACK	
31	5172	1	RUBBER BUSH	
32	107313052	1	CENTRAL TUBE	

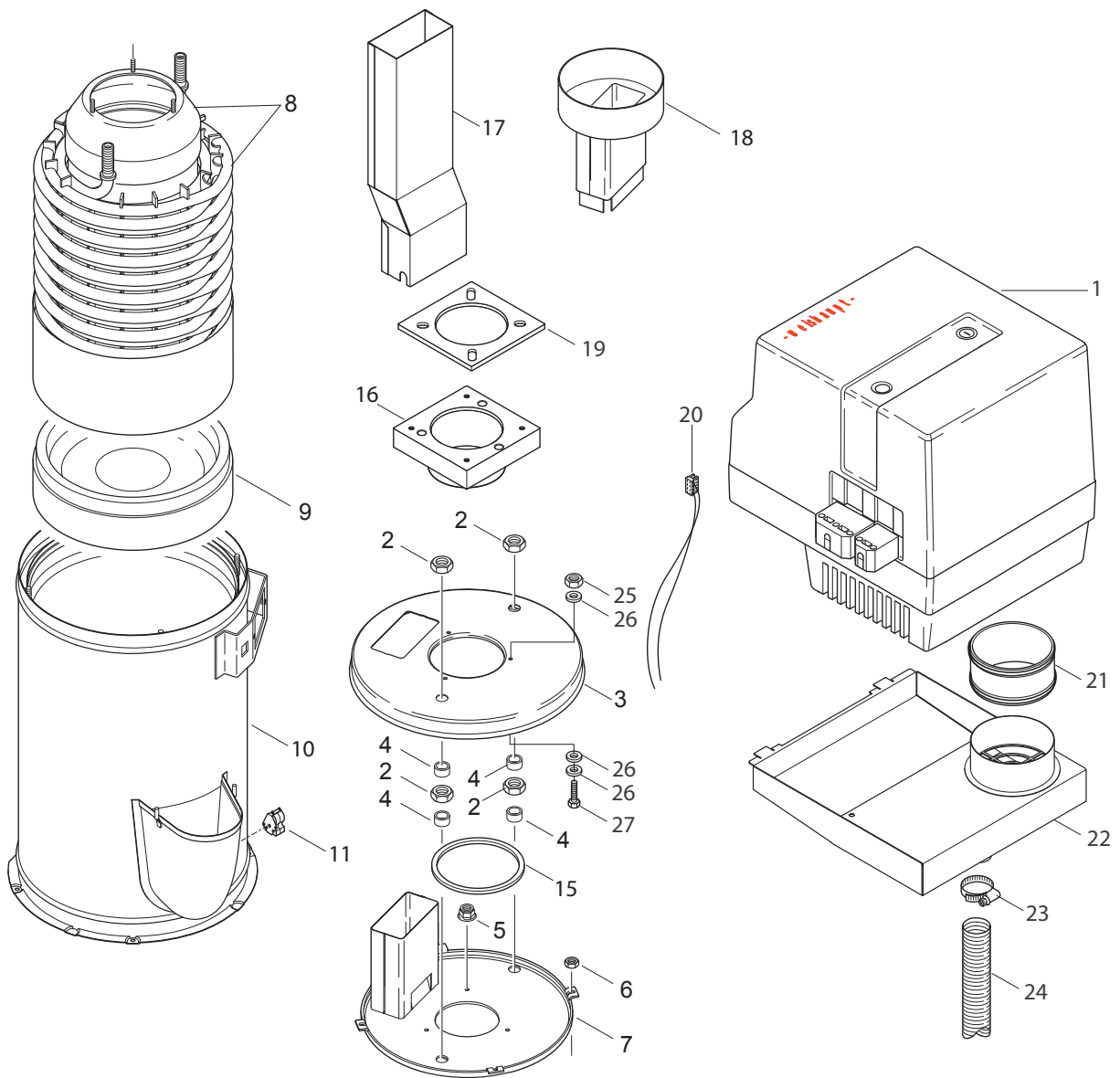


No.	Part No.	Qty.	Description	Part Note
1	107318249	1	BURNER BENTONE SOLAR BFG1	
2	7012	4	HEXAGON NUT M18X1.5	
3	107318121	1	BOILER COVER OUTER WITH POPNUTS	
4	301000582	4	BUSHING Ø22X1.5X24	
5	12496	3	HEXAGON NUT M6	
6	12263	4	HEXAGON NUT M6	
7	107318122	1	BOILER COVER INNER	
8	301001342	1	COIL NPT 7 VA	
8	301001099	1	COIL NPT 7 STEEL	
8	107143301	1	COIL B5 SS, MH	
8	301001098	1	COIL NPT 5 STEEL	
9	107318250	1	INSULATION FOR BOILER N7	
10	301002153	1	BOILER JACKET COMPL. SOLAR BOOSTER 7 GAS	
11	3913	4	SCREW M6X12	
12	12496	4	HEXAGON NUT M6	
13	107318120	2	GASKET FOR BURNER	
14	107318125	1	PIPE DISTANCE	
15	107318119	1	GASKET FOR CHIMNEY	
16	107318126	1	GASKET	
17	107318124	1	FIXING FLANGE	
18	301001089	1	EXHAUST PIPE 148X197	[1]
19	1800796	4	WASHER M8	
20	1803345	4	SCREW M8X30	
21	103403280	1	SIKKERHEDSVENTIL GAS 3/4	[2]
22	107318248	1	MULTIBLOC COMPLETE WITH FITTINGS & DOCS	

## Part Notes:

- [1] - OPTION  
 [2] - OPTION  
 ACCESSORY PRUNED

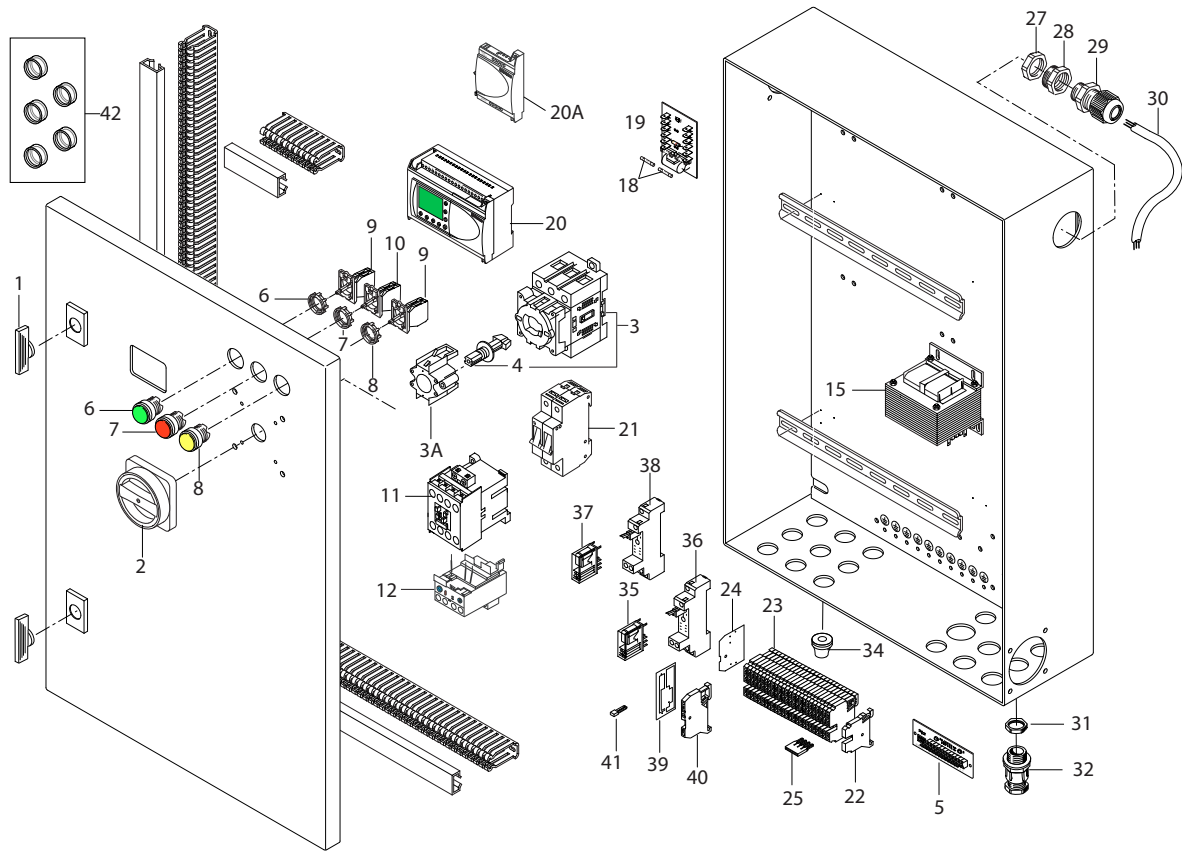




No.	Part No.	Qty.	Description	Part Note
1	101406032	1	GAS BURNER WG10N/1D	[1]
2	7012	4	HEXAGON NUT M18X1.5	
3	301000534	1	BOILER COVER OUTER	
4	301000582	4	BUSHING Ø22X1.5X24	
5	12496	3	HEXAGON NUT M6	
6	12263	4	HEXAGON NUT M6	
7	301001441	1	BRENNERDECKEL INNEN VORM.	[2]
8	301001099	1	COIL NPT 7 STEEL	
9	301000916	1	INSULATION Ø320.5X89	[3]
10	301000969	1	BOILER JACKET COMPLETE N7	
11	107307125	1	AIR CONTACT	
15	107317019	1	GASKET	[2]
16	107317014	1	FLANGE FOR BOILER	
17	107317018	1	CHIMNEY SOLAR BOOSTER G	[4]
18	301001089	1	EXHAUST PIPE 148X197	
19	103004369	1	GASKET FOR GAS BURNER SOLAR B.	[2]
20	107318013	1	PLUG F. RESET BURNER W. CABLE	
21	101609366	1	SLEEVE NPU100	[5]
22	107317023	1	SUCTION CHAMBER	[5]
23	1810225	2	HOSE CLIP D19-44 SS	
24	5218743	1	HOSE FLEXIBLE 25	
25	1804285	3	LOCK NUT M5 A2 DIN985	
26	1813807	9	WASHER 6.4/18.0X1.6 A ISO7090 VA	
27	1806389	3	HEX. SCREW M5X30 ISO 4017 ZN	[4]

## Part Notes:

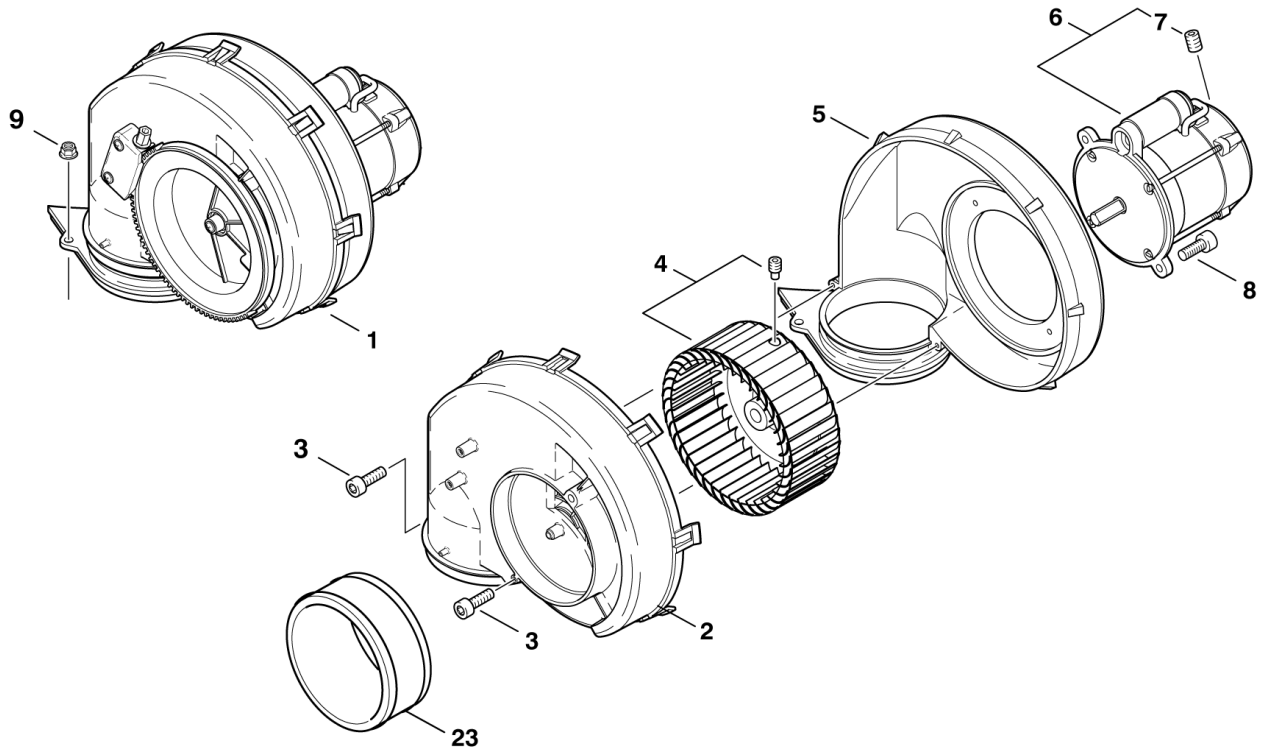
- [1] - ALTERNATIVE BUY 107318145
- [2] - NO LONGER AVAILABLE
- [3] - TSB-HPW-2021-002 Chamotte stones in insulation removed
- [4] - GUARANTEE DATE EXPIRED
- [5] - CLOSED WHEN STOCK EMPTY



No.	Part No.	Qty.	Description	Part Note
01	103821959	2	KEY	
02	3830121	1	KNOB FOR MAIN SWITCH	
03	103821919	1	MAIN SWITCH 25A	
03A	103821907	1	SHAFT FOR MAIN SWITCH 194L-G2853	
04	103821960	1	HANDLEBAR FOR MAIN SWITCH 25 A	
05	106420052	1	CIRCUIT BOARD SOLAR BOOSTER	[1]
06	103821823	1	GREEN START PUSH BUTTON	
07	103821824	1	RED STOP PUSH BUTTON	
08	103821900	1	SIGNAL LIGHT ATTACHMENT YELLOW	
09	103821825	2	START SWITCH/LIGHT BLOCK NO CONTACT	
10	103821826	1	STOP SWITCH/LIGHT BLOCK NC CONTACT	
11	103822306	3	CONTACTOR CJX2-D18 18A 24V 3P+NO	[2]
11	103822313	1	CONTACTOR CJX2-D25 25A 24V 3P+NO/US	[3]
12	103822328	1	THERMAL RELAY 17-25AMP	[4]
12	103822327	1	THERMAL RELAY 12-18AMP	[5]
15	103821847	1	CONTROL TRANSFORMER 230V 24/19	
15	103821846	1	CONTROL TRANSFORMER 400V 24/19	
18	3812385	2	FUSE D5X20 6.3A VISCOUS US	
19	106420051	1	CIRCUIT BOARD WITHOUT FUSES	
20	106426054	1	PLC M/ALTO-PROGRAM SOLAR D	[6]
20	106426057	1	PLC M/ALTO-PROGRAM SOLAR GH	[7]
20	106426056	1	PLC M/ALTO-PROGRAM SOLAR G	[1]
20	106426059	1	PLC W/ALTO-PROGRAM SOLAR GW	[8]
20A	103821948	1	EXPANDER AL2-4EYR	
21	103821905	1	SAFETY DEVICE 2 POL 6A	
22	103821922	2	DIN-END STOP WO/SCREW WAGO 249-116	
23	103821920	14	WIRE TERMINAL	
24	103821921	1	END PLATE	
25	103821924	2	JUMPER 4-POL.	
27	103821832	1	NUT M25X1.5 PA/L GREY	
27	103821842	1	T M40X1.5 PA/L.GR	
28	103821874	1	REDUCTION M40/M25	
29	103821831	1	CABLE BUSHING	
30	107318008	1	POWER CORD SOLAR D 1 PHASE	
30	107318001	1	POWER CORD SOLAR BOOSTER D	
31	103821778	4	NUT M20X1.5	
32	103821785	4	CABLE BUSHING	
34	3803780	9	GROMMET 10-14C	
35	103821912	1	MINI RELAY 1P 230V	[9]
36	103821914	1	BASE FOR MINI RELAY 1POL	[9]
37	103821915	2	MINI RELAY 2P 24VAC	[10]
38	103821916	2	BASE	[10]
39	103821968	1	END PLATE WAGO 4MM2	
40	107307394	6	WIRE TERMINAL 4Q WAGO 2004-1201	
41	103821969	2	JUMPER	
42	107318028	1	PROTECTION COVER 5 PCS.	

## Part Notes:

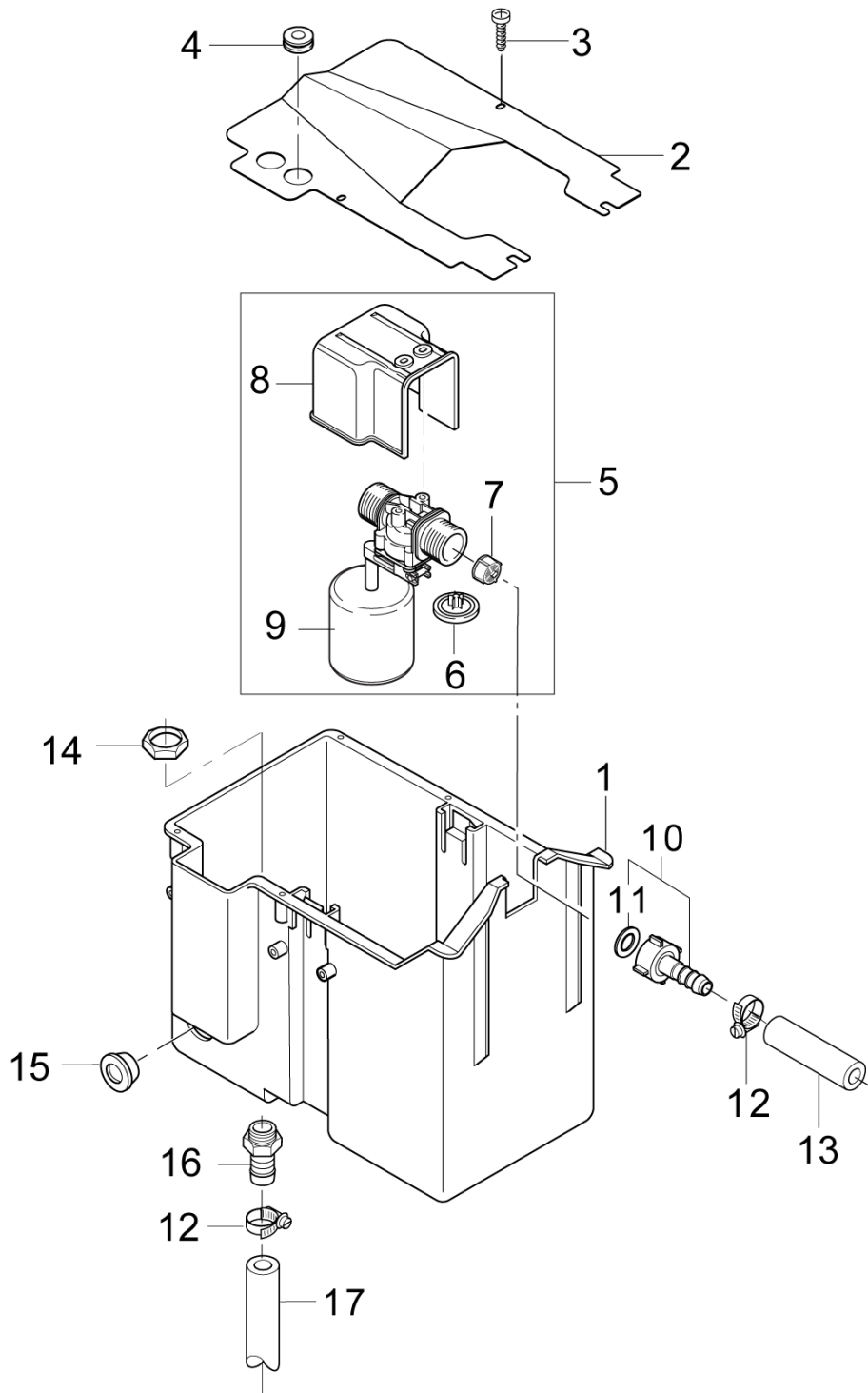
- [1] - G
- [2] - 400V
- [3] - 230V
- [4] - 17-28A
- [5] - 12-16A
- [6] - D
- [7] - GH
- [8] - SOLAR BOOSTER 7-58GW
- [9] - K3, K5 (G, GH)
- [10] - K2, K2,1 (GW)



No.	Part No.	Qty.	Description	Part Note
01	301000908	1	BURNER FAN HOUSING	
02	301000852	1	COVER FOR FAN HOUSING	
03	32535	2	SCREW M5X16	
04	301000889	1	FAN WHEEL D160X60 ART.NO. 12828B	
05	301000495	1	FAN HOUSE	
06	106408257	1	MOTOR BURNER - 0.23KW/230V/50HZ/1PH	
07	30180	3	HEADLESS SCREW M5X10 DIN 914 ST/ZN	
08	4697	2	SCREW M6X16	
09	12496	2	HEXAGON NUT M6	
23	107318128	1	CLOSED AIR INTAKE	[1]

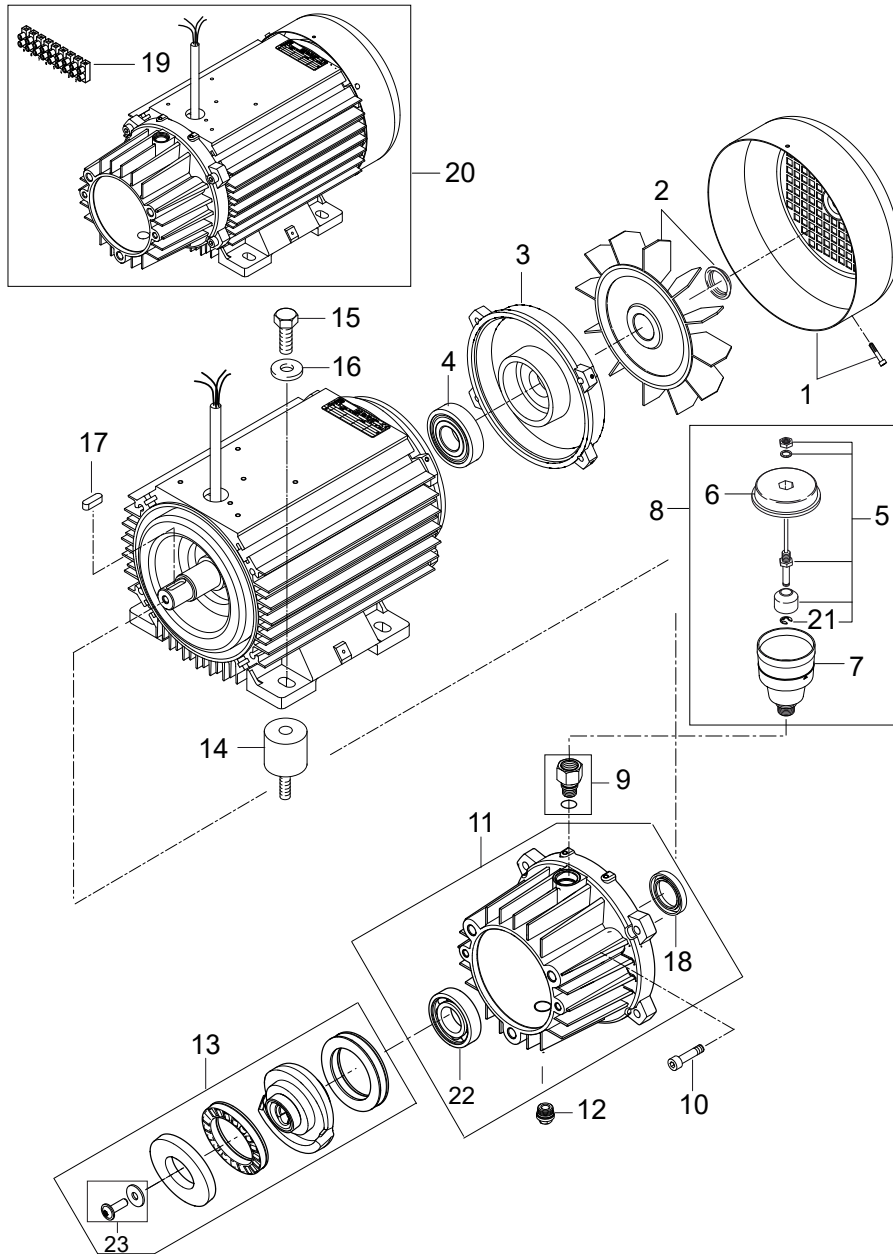
## Part Notes:

[1] - OPTION



No.	Part No.	Qty.	Description	Part Note
01	7350195	1	FLOAT CHAMBER	
02	107302155	1	COVER	
03	16860	1	SCREW 4X12	
04	5172	2	RUBBER BUSH	
05	63349	1	FLOAT VALVE	
06	62878	1	MEMBRANE RUBBER	
07	34225	1	FILTER FOR FLOAT VALVE Ø19.5 KU	
08	34240	1	COVER	
09	62877	1	SWIMMER Ø 55X60	
10	101609358	1	HOSE TAIL 16X3/4 INCH	
11	15587	1	PACKING RING 14X24X2 RUBBER	
12	1810191	4	HOSE CLIP 13-27 A4 SS	
13	106408242	1	HOSE 5/8INCH - 2 METERS	
14	101609356	1	NUT 1/2IN	
15	107307364	1	PLUG D36X18 WATERTANK	
16	101609359	1	HOSE TAIL 1/2 INCH.X16MM	
17	107318088	1	HIGH PRESSURE HOSE DN8	

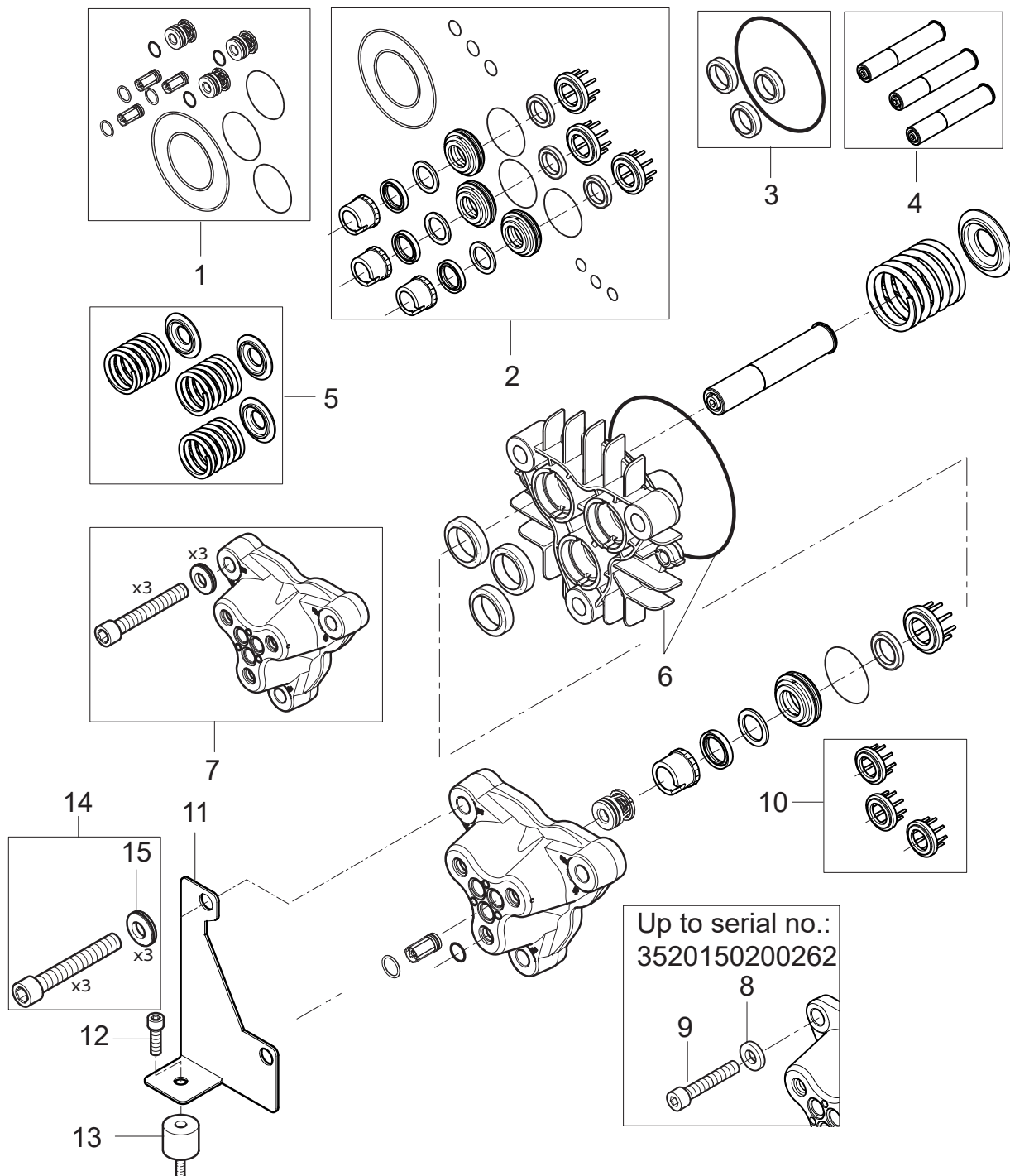




No.	Part No.	Qty.	Description	Part Note
	31001229	1	OIL ISO 150 ALPHASYN-T 20L	
0	107141950	1	M/P POS 5-61 400V/50HZ	[1]
0-	5218433	1	PUMP OIL 150 1X1 1L	[2]
1	107144127	1	FAN COVER - EME	[3]
1	107144126	1	FAN COVER RF	[4]
2	107144125	1	FAN W LOCK RING RF	[4]
2	107144124	1	FAN W/LOCK RING - EME	[5]
3	31000150	1	REAR BEARING COVER EME	[5]
3	31000148	1	REAR BEARING COVER RF	[4]
4	31000149	1	REAR BEARING 6306 2Z C3 150 DEGREES RF	[4]
4	31000151	1	REAR BEARING EME	[5]
5	301001196	1	FLOAT SWITCH LS01 W/PUR WIRE 10VA	
6	301000615	1	COVER Ø70X15.5	
7	301000614	1	PUMP OIL CONTAINER Ø66.8X84	
8	301000616	1	OIL CONTAINER WITH LEVEL INDICATOR	
9	107318154	1	FITTING FOR OIL CUP	
10	107144142	1	SCREW KIT PUMP NA5	[6]
11	107141967	1	D-BEARING COVER COMPLETE NA5.2	[7]
12	107141982	1	OIL PLUG W/O-RING AND MAGNET NA5.2	
13	101118242	1	WOBBLE DISC 10.9 DEG. BEARING KIT NA5.2	[8]
13	101118241	1	WOBBLE DISC 12 DEG. BEARING KIT NA5.2	[9]
14	107318091	1	VIBRATION DAMPER M8	
15	1801133	4	SCREW M10X25 ISO4017 ZN	
16	4827	4	WASHER 10.5X2.5	
17	19639	1	PARALLEL KEY 8X7X25 A DIN 6885 ST	
18	G120414	1	OIL SEALING RING Ø30XØ47X7	
19	101117839	1	TERMINAL PLUG AND TERMINAL PINS	
20	107141979	1	MOTOR 5.5 KW 220/230/400/440/3/50/60 EU	
20	107141978	1	MOTOR 6.7 KW 220-400/440/3 50/60HZ - EU	
21	107142593	1	HOLDING WASHER PE	[10]
22	107144817	1	BEARING KBC 6206 GB/T818	
23	107142658	1	NA5.2 WD SCREW AND WASHER	

## Part Notes:

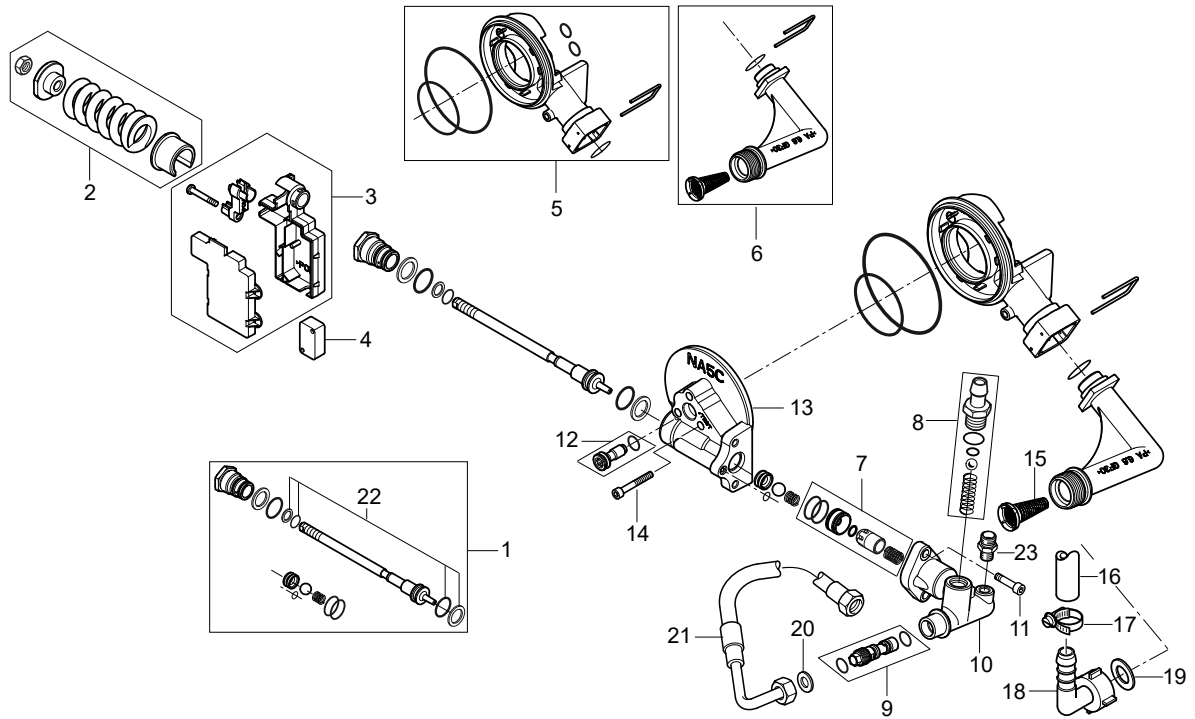
- [1] - GUARANTEE DATE EXPIRED
- [2] - 0,71L - OIL TYPES\_QUANTITY for HPW\_APRIL 2017
- [3] - STOCK COVERS GUARANTEE
- EME – has EME letter on the motor type plate
- [4] - RF – has Nilfisk letter on the motor type plate
- [5] - - EME – has EME letter on the motor type plate
- [6] - contains hardware for one pump
- [7] - TSB-PPW-2015-002 NA5.2 Pump Information
- [8] - 230-400/3/50Hz -5,5 kW/10,9
- [9] - 230-400/3/50Hz - 6,7kW/12
- [10] - TSB-PPW-2016-017 Locking ring for oil level switch falling off



No.	Part No.	Qty.	Description	Part Note
1	107144100	1	VALVE KIT - NA5	
2	101118323	1	WATER SEAL KIT NA5	[1]
3	107144102	1	OIL SEAL KIT - NA5	
4	101118239	1	PISTON KIT - NA5.2	
5	107144104	1	SPRING KIT - NA5	
6	107141983	1	CYLINDER BLOCK W/ O-RING NA5.2	[2]
7	107141985	1	CYLINDER HEAD NA5.2 W. SCREWS & WASHERS	[2]
8	107141727	1	WASHER 20X13X2 ISO7092 ZINC PLATED	[2]
9	107141513	3	CYLINDRICAL SCREW M12X65 12.9 DELTASIL	[2]
10	107140919	1	SUPPORT RING NA5 SPARE VPE 3	
11	107318130	1	BRACKET FOR NA5	
12	1803089	1	SCREW INSEX M8X12	
13	107318091	1	VIBRATION DAMPER M8	
14	107141968	1	CYL.SCREW M12X80 WITH NORDLOCK WASHER	
15	107141969	3	WASHER NLX12SP D12.5XD25.4X4.2MM	

## Part Notes:

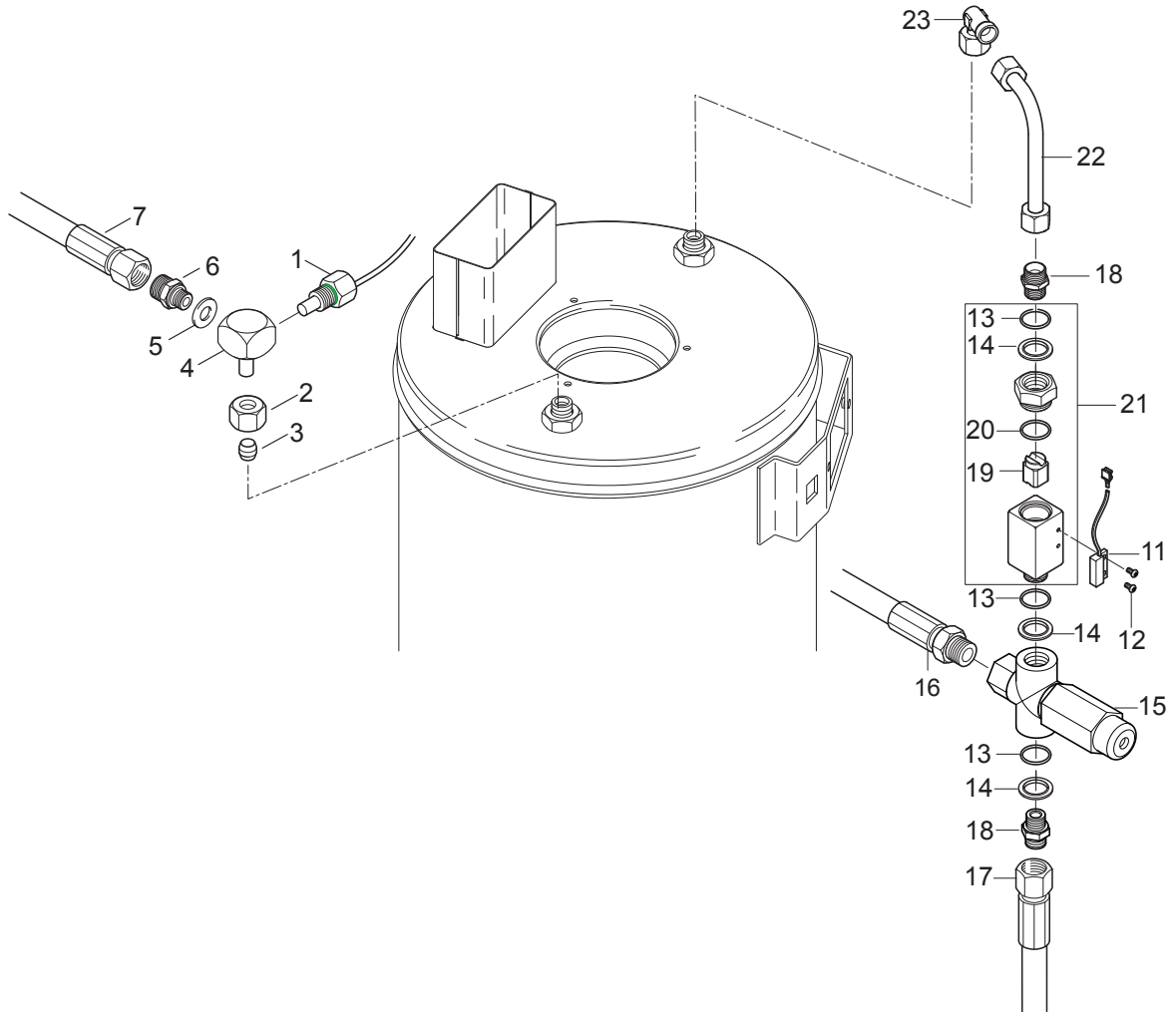
- [1] - TSB-PPW-2020-003 NA5 pump THRUST COLLAR changed  
 DE TSB-PPW-2020-003 NA5 Pumpe - Änderung der Druckringe  
 TSB-PPW-2020-003 Nouvelles bagues laiton pour pompe NA5
- [2] - TSB-PPW-2015-002 NA5.2 Pump Information



No.	Part No.	Qty.	Description	Part Note
1	107144147	1	UNLOADER REP. KIT 1 - NA5 F. DSS	
2	107144106	1	UNLOADER REP. KIT 2 - NA5	
3	107144145	1	MICRO SWITCH CASING KIT	
4	301002754	1	MICRO-SWITCH 250V/20AAC NC FS 6.3	
5	107144109	1	WATER INLET KIT 1 - NA5	[1]
6	107144110	1	WATER INLET KIT 2 - NA5	
7	107144107	1	NON RETURN VALVE KIT - NA5	
8	1119406	1	NON RETURN VALVE REP. KIT	
9	107144112	1	VENTURI TUBE D2.03 NATURE	[2]
10	107144136	1	OUTLET FITTING NA5	
11	107144142	1	SCREW KIT PUMP NA5	[3]
12	107144137	1	UNLOADER PLUG NA5	
13	107144138	1	UNLOADER BODY NA5	
14	5100	3	SCREW M6X45 ISO 4762	
14	107144142	1	SCREW KIT PUMP NA5	[4]
15	101117926	1	FILTER	
16	106408242	1	HOSE 5/8INCH - 2 METERS	
17	1810191	2	HOSE CLIP 13-27 A4 SS	
18	107142766	1	HOSE NOZZLE	
19	15587	1	PACKING RING 14X24X2 RUBBER	
20	65466	1	PACKING RING 8X15X1 DIN7603 A CU	
21	301001092	1	HP HOSE Ø8X1175 M18X1.5 3/8 INCH 70 DEGR	
22	107144149	1	UNLOADER REP. KIT 3 - NA5	
23	107312045	1	FITTING M8X6	

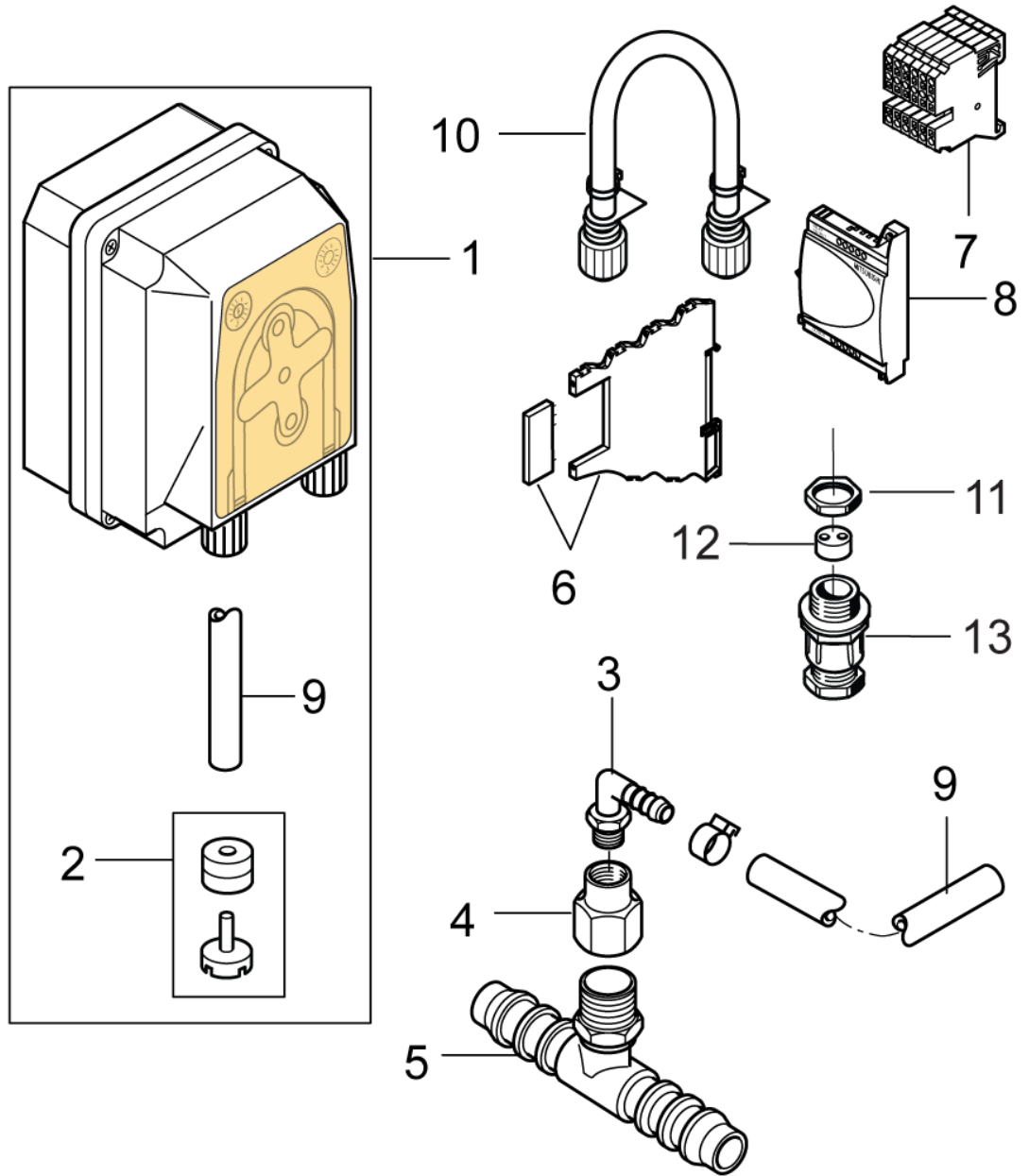
Part Notes:

- [1] - TSB-PPW-2015-003 Water Inlet, 101117929 and 107144109 for NA5 pumps does not fit on NA5.2 pump
- [2] - OPTION
- [3] - contains hardware for one pump
- [4] - 3x Screw HX M6 x 45 ISO 4762  
 2x CYLINDRICAL SCREW M6 X 18  
 2x Screw M8x40ISO47628.8zn  
 4x SCREW M8X35 ISO 4017



No.	Part No.	Qty.	Description	Part Note
1	6420250	1	SENSOR F.TEMP.REG./OVERHEAT.	
2	1081	1	UNION NUT L12 DIN 3870-A ST/ZN	
3	1080	1	CUTTING RING L12 B DIN 3861 ST/ZN	
4	6200360	1	OUTLET FOR COIL ELBOW	
5	1801075	1	PACK.RING D23.8XD14.96 3/8NBR SELF-CENT.	
6	3938	1	THREADED CONNECTION1/4 INCH	
7	107318116	1	HP HOSE DN10 950 AGR-DKL	
11	101117719	1	REED SWITCH FOR FLOW SWITCH	
12	101117717	2	SCREW TORX M3X6 ELECTRO PLATED DIN 7985	
13	16998	3	O-RING 14X1.5 NBR 70SH	
14	1801075	3	PACK.RING D23.8XD14.96 3/8NBR SELF-CENT.	
15	101117722	1	SAFETY VALVE ADJUSTED TO 250 +5/-5 BAR	
16	107318129	1	HP HOSE	
17	301001092	1	HP HOSE Ø8X1175 M18X1.5 3/8 INCH 70 DEGR	
18	1601079	2	THREADED CONNECTION	
19	101117716	1	MAGNET HOUSING CPL.	
20	G120381	1	O-RING 18X2 NBR 70SH	
21	101117675	1	FLOW SWITCH COMP.	
22	107318094	1	STEEL PIPE	
23	101118094	1	COUPLING KIT 90D ISO 8434 M18X1.5 THREAD	





No.	Part No.	Qty.	Description	Part Note
00	107370952	1	OPTION 1XDETERGENT SOLAR	
1	103822206	1	CHEMICAL PUMP ADJUSTABLE MAX. 13L/H	
2	31000101	1	FILTER AND LOCK FOR CHEMICAL PUMP	
3	107318136	1	HOSE TAIL ELBOW 4X1/4	
4	107318134	1	REDUCTION 1/2X1/4	
5	107318155	1	T-HOSE CONNECTION D19X1/2XD19 BLUE PE	[1]
5	107318137	1	T CONNECTION 14X1/2	
6	103821828	1	RELAY SNR 24V	
7	103821920	6	WIRE TERMINAL	
8	103821948	1	EXPANDER AL2-4EYR	
9	107318062	1	HOSE SILICONE 6/ 4X5M	
10	103822265	1	HOSE FOR CHEMISTRY PUMP	
11	103821778	1	NUT M20X1.5	
12	103821946	1	INSERT 3X6.5	
13	103821785	1	CABLE BUSHING	

## Part Notes:

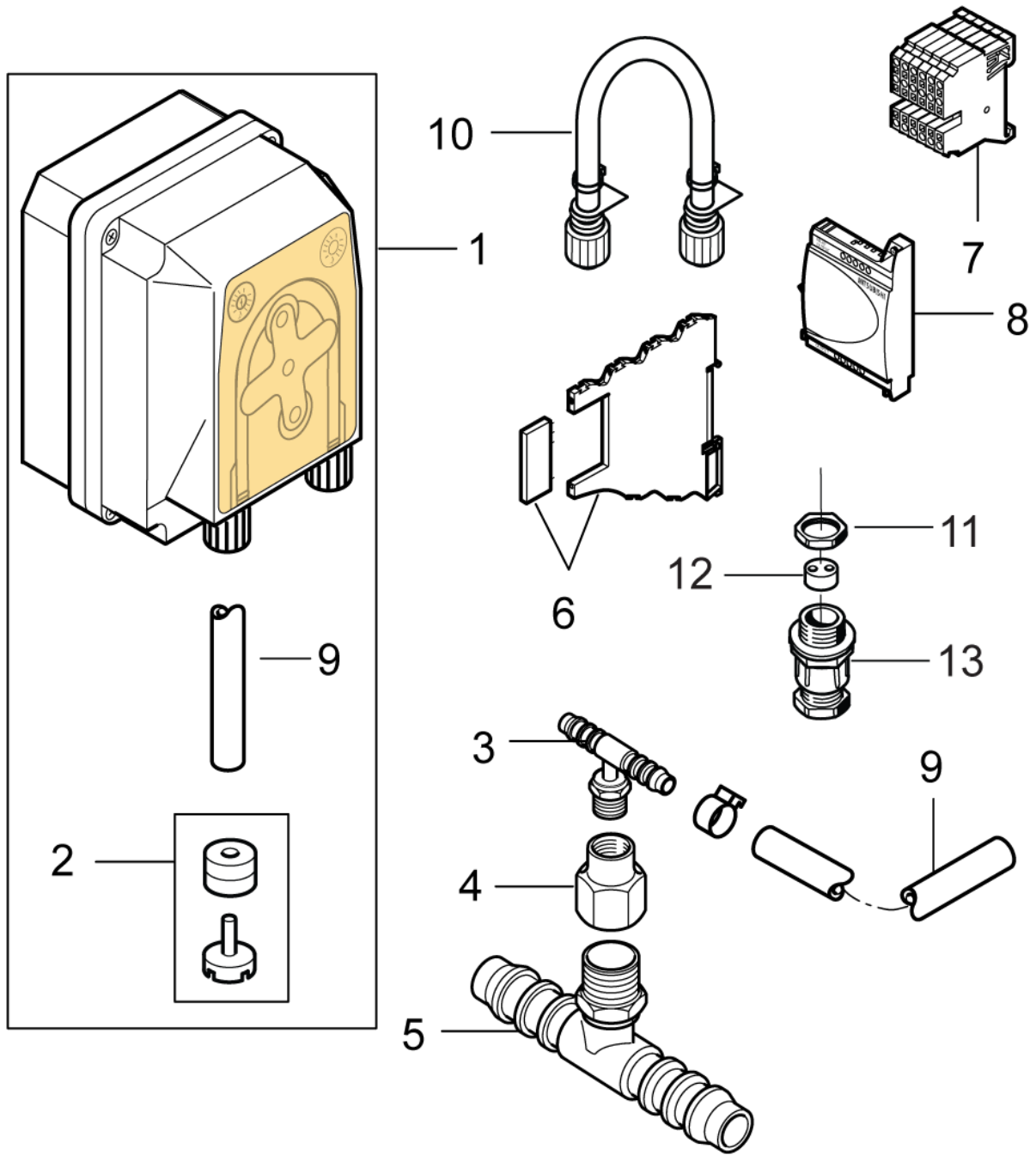
[1] - Only on NP8 pumps



No.	Part No.	Qty.	Description	Part Note
0-	107340903	1	OPTION 1XMANUEL DETERGENT	
1	3001740	1	O-RING 7.66X1.78 NBR 70SH	
2	1609300	1	HOSE SOCKET	[1]
2	1608512	1	HOSE SOCKET 1/4 INCH	[2]
3	1807593	2	CLIP 7-13 MM RUSTPROOF	
4	4973	1	HOSE Ø6X3	
4	101406100	1	HOSE DN 6X3 5M	
5	101609346	1	HOSE SOCKET ELBOW 1/4IN X 6	
6	103403268	1	NEEDLE VALVE 1/4IN/1/4IN	
7	12117	1	LABEL A	
8	1810084	2	HOSE CLIP 10.8/12.3	
9	107145440	1	STRAINER VALVE COMPL. KIT	
10	107302159	1	REDUCTION NOZZLE	[3]
11	301000187	1	ORIFICE 7.0X11.5X16	[4]
11	301001103	1	ORIFICE 8.5X11.5X16	[5]

## Part Notes:

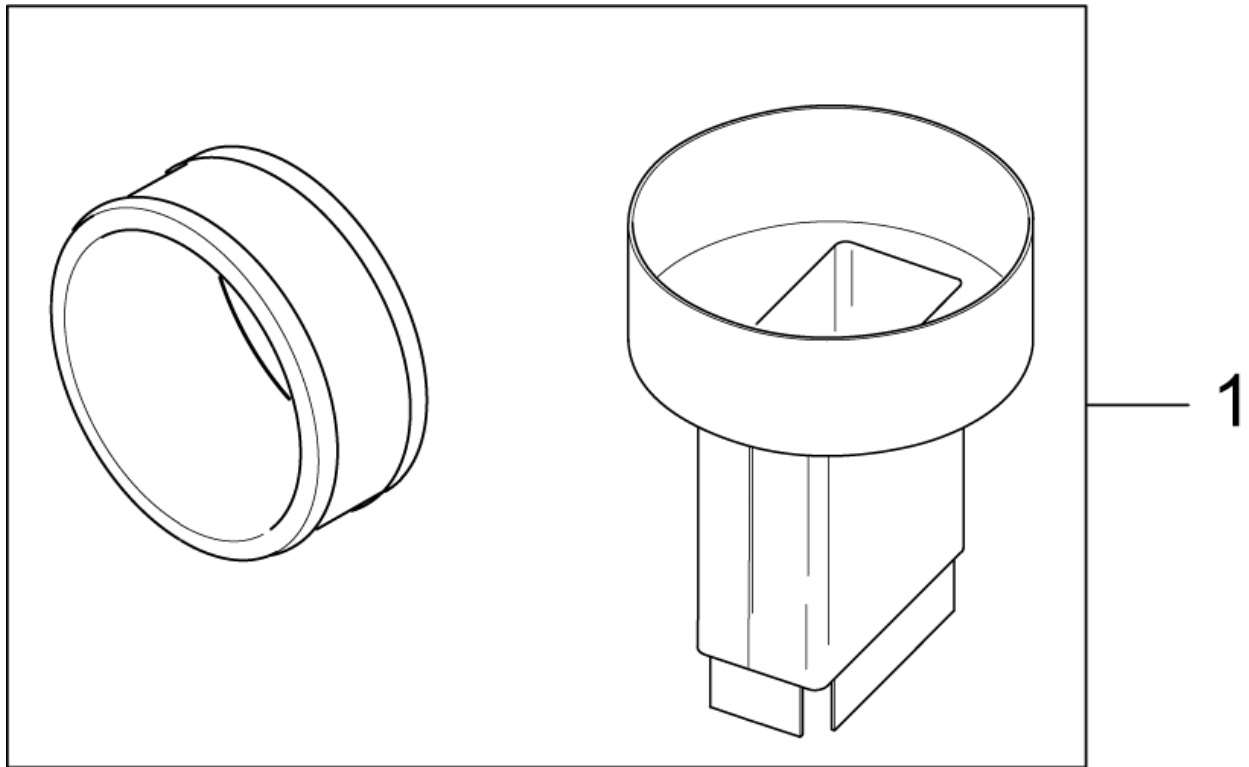
- [1] - C3
- [2] - UNO , DUO
- [3] - UNO, DUO
- [4] - C3 - 5,5kW  
STOCK COVERS GUARANTEE
- [5] - C3 - 6,5 kW



No.	Part No.	Qty.	Description	Part Note
			MI - 107319189 Detergents	[1]
00	107370953	1	OPTION 2XDETERGENT SOLAR	
1	103822206	1	CHEMICAL PUMP ADJUSTABLE MAX. 13L/H	
2	31000101	1	FILTER AND LOCK FOR CHEMICAL PUMP	
3	107318138	1	T CONNECTION 4X1/4	
4	107318134	1	REDUCTION 1/2X1/4	
5	107318155	1	T-HOSE CONNECTION D19X1/2XD19 BLUE PE	[2]
5	107318137	1	T CONNECTION 14X1/2	
6	103821828	1	RELAY SNR 24V	
8	103821948	1	EXPANDER AL2-4EYR	
7	103821920	6	WIRE TERMINAL	
9	107318062	1	HOSE SILICONE 6/ 4X5M	
10	103822265	1	HOSE FOR CHEMISTRY PUMP	
11	103821778	1	NUT M20X1.5	
12	103821946	1	INSERT 3X6.5	
13	103821785	1	CABLE BUSHING	

## Part Notes:

- [1] - MI - 107319189 Detergents  
 [2] - Only on NP8 pumps



# 107370965 - OPTION Closed air intake G

SOLAR BOOSTER 5-45 / SH SOLAR 150/1020 G

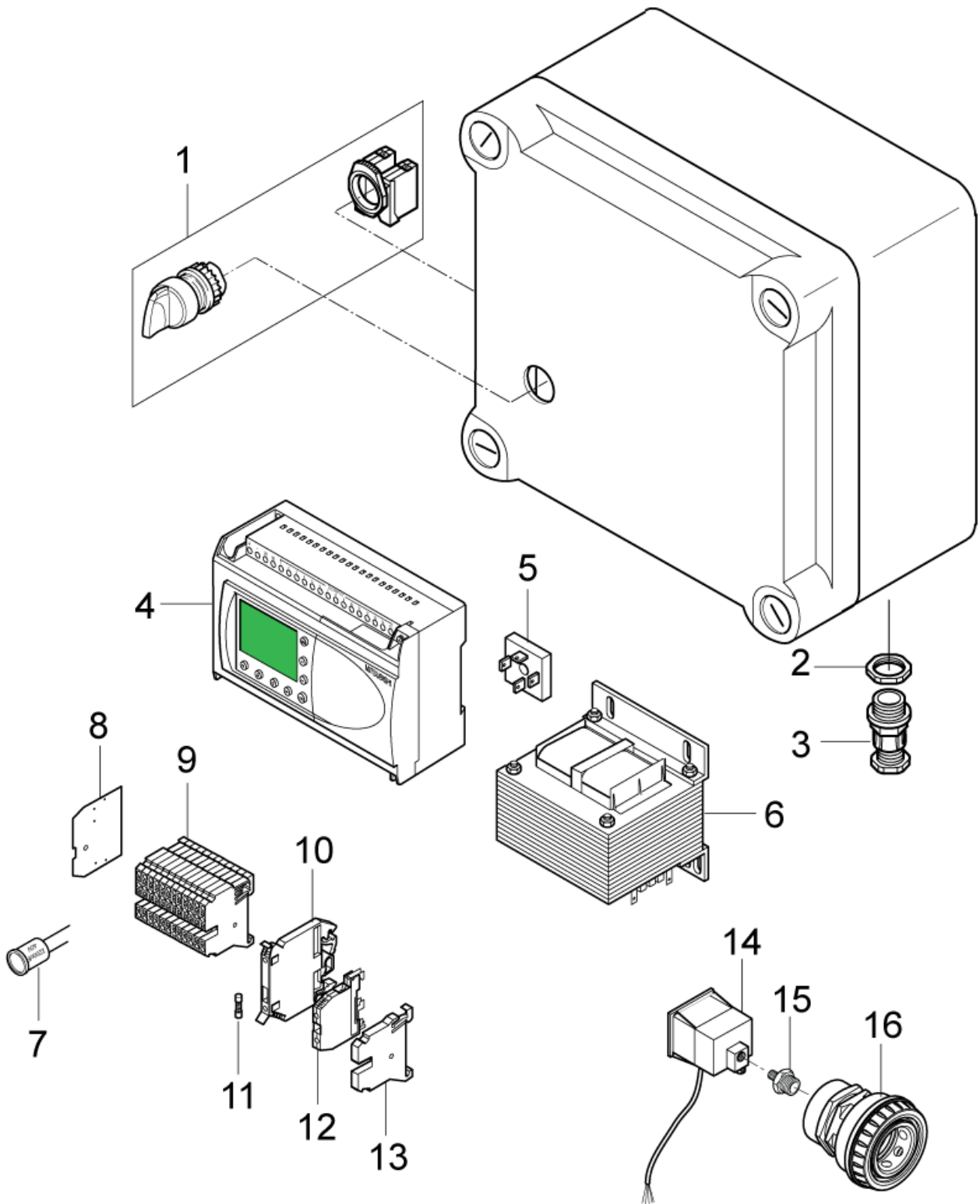
2017.11.02

2017.10.03

---

No.	Part No.	Qty.	Description	Part Note
1	107370965	1	OPTION CLOSED AIR INTAKE SOLAR G	

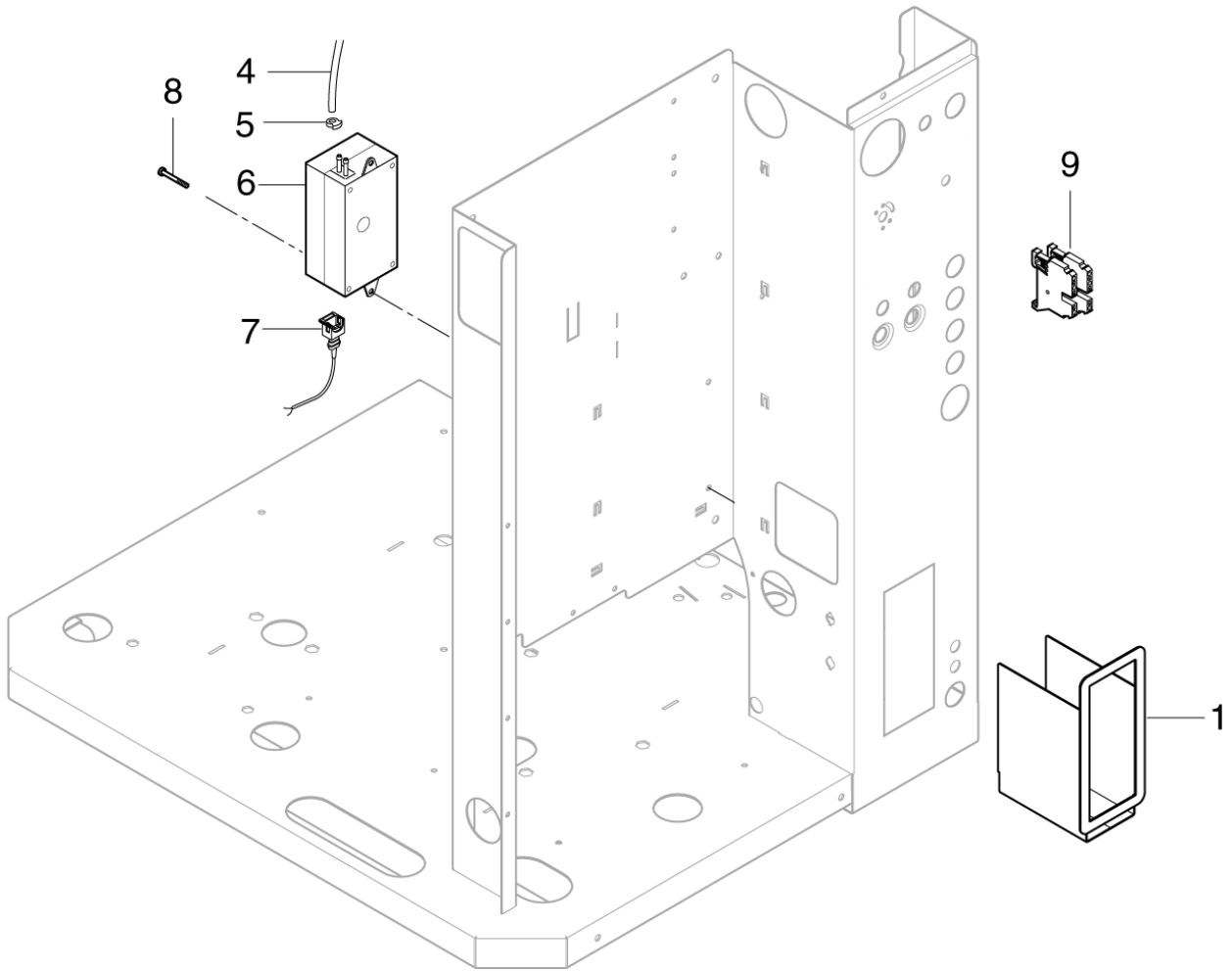




No.	Part No.	Qty.	Description	Part Note
			MI - 107319186 Multiple Machine Option	[1]
00	107370964	1	OPTION MULTI MACHINE CONNEC. BOX SOLAR	
1	107318115	1	SWITCH WITH CONTACT	
2	103821789	5	NUT M12X1.5 PA	
3	103821788	5	CABLE BUSHING	
4	106426058	1	PLC M/ALTO-PROGRAM OPTION BOX	
5	22207	1	RECTIFIER	
6	103821844	1	CONTROL TRANSFORMER 230V 24/19	
7	107142723	1	CAPACITOR 2200µF	
8	103821921	1	END PLATE	
9	103821920	12	WIRE TERMINAL	
10	4812281	1	FUSE HOLDER	
11	15846	1	FUSE T 2.5 A	
12	107318117	2	EARTH TERMINAL	
13	103821922	1	DIN-END STOP WO/SCREW WAGO 249-116	
14	107306160	1	PRESSURE SWITCH CODED FOR 3~	
15	107318118	1	FITTING	
16	106402075	1	COUPLING - FEMALE/Q-COUPPL 3/8 INCH	

## Part Notes:

[1] - MI - 107319186 Multiple Machine Option



No.	Part No.	Qty.	Description	Part Note
			MI - 107319188 No Scale	[1]
0-	107370958	1	OPTION NO-SCALE SOLAR	
1	107318104	1	BRACKET FOR NO-SCALE	
4	5226147	1	HOSE PVC 4/7.2	
5	1814151	1	HOSE CLIP	
6	3821492	1	KS-PUMP ST 15 24V	
6-7	107309185	1	SOFTENER PUMP	[2]
7	4812338	1	WIRE FOR FLOW SWITCH 1200MM	
8	1800606	2	SCREW CROSS M4X10 FZB DIN7985	
9	103821920	2	WIRE TERMINAL	

Part Notes:

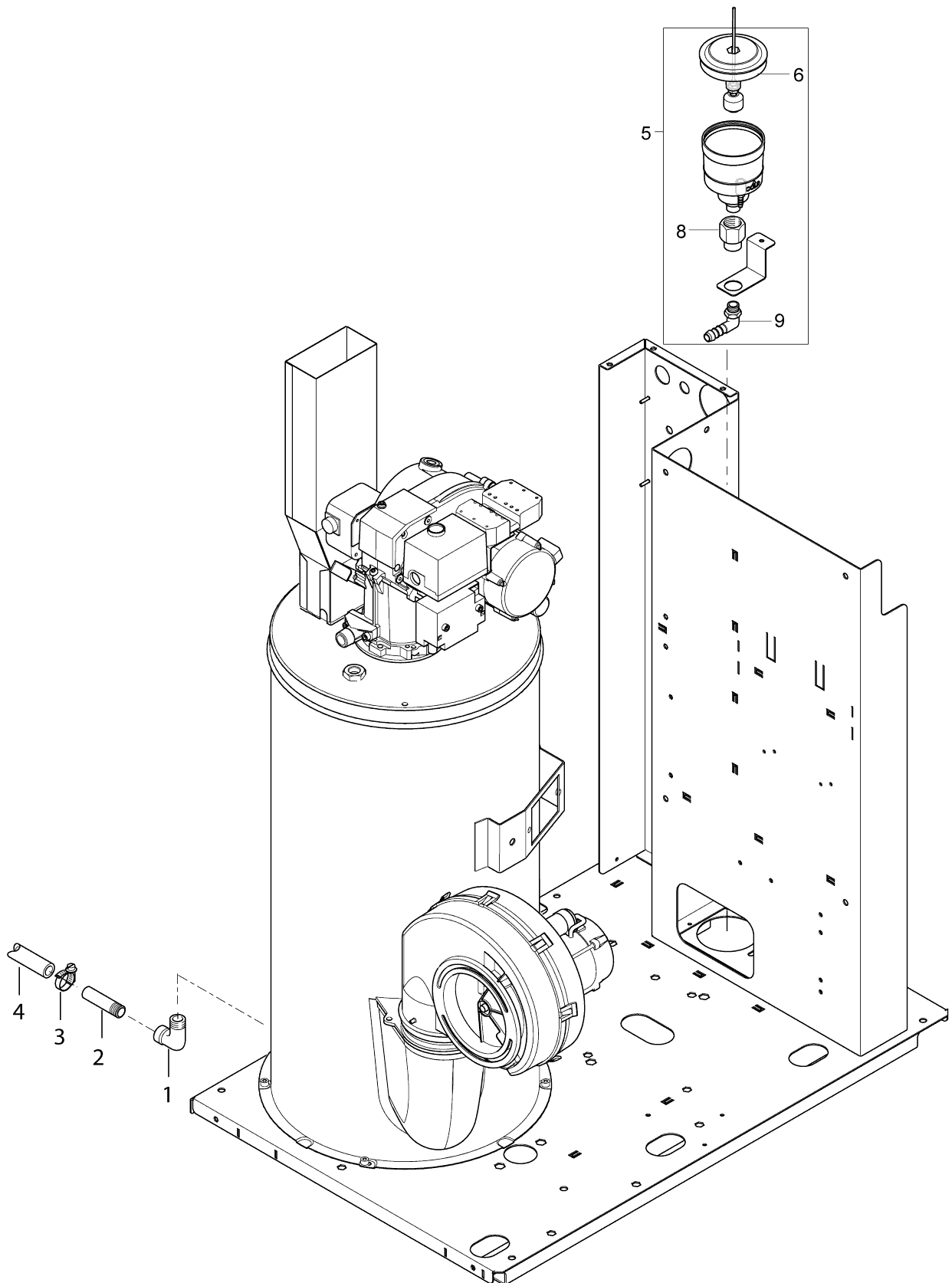
- [1] - MI - 107319188 No Scale
- [2] - Will replace 3821492 and 4812338



No.	Part No.	Qty.	Description	Part Note
0A	64314	1	REPAIR KIT	[1]
0A	6100941	1	FILTER L 7CM	[1]
0A	301001195	1	REPAIR KIT DISCHARGER VALVE	[1]
0A	1119570	1	GASKETS C3 REP.KIT	[1]
0A	101119850	1	KIT THRUSTRING + BACK-UP RING	[1]
0A	1119820	1	OIL SEAL 03/C3 REP.KIT	[1]
0A	1119571	1	GASKETS REDUCED REP.KIT	[1]
0A	301001068	1	FUEL NOZZLE 1.35GAL/H 60	[1]
0A	101117926	1	FILTER	[1]
0A	3812385	1	FUSE D5X20 6.3A VISCOUS US	[1]
0A	63056	1	REPAIR KIT DISCHARGER VALVE	[1]
0B	103822265	1	HOSE FOR CHEMISTRY PUMP	[2]
0C	106420051	1	CIRCUIT BOARD WITHOUT FUSES	[3]
0C	3600301	1	PRESSURE GAUGE	[3]
0C	3200656	1	NEEDLE BEARING INA K 40X46X17	[3]
0C	103822306	1	CONTACTOR CJX2-D18 18A 24V 3P+NO	[3]
0C	6367	1	ROLLER BEARING 6206-2Z-C3	[3]
0C	103822327	1	THERMAL RELAY 12-18AMP	[3]
0C	103821905	1	SAFETY DEVICE 2 POL 6A	[3]
0C	107141978	1	MOTOR 6.7 KW 220-400/440/3 50/60HZ - EU	[3]
0C	107120716	1	WOBBLE DISC 12	[4]
0C	64440	1	DIODE 6A80 6A 800V	[3]
0C	107310070	1	MOTOR 6.5KW 400-415.230/3/50	[3]
0C	103821828	1	RELAY SNR 24V	[3]
0C	301000911	1	SAFETY VALVE 250 BAR	[3]
0C	3200615	1	AXIAL ROLLER BEARING	[3]
0C	301000731	1	MICRO SWITCH 250V	[3]
0C	107141979	1	MOTOR 5.5 KW 220/230/400/440/3/50/60 EU	[3]
0C	6101750	1	FRONT BEARING COVER COMP.	[3]
0C	103822313	1	CONTACTOR CJX2-D25 25A 24V 3P+NO/US	[3]
0C	3200664	1	NEEDLE BEARING	[3]
0C	101406030	1	HIGH PRESSURE HOSE DN8X1000MM	[3]
0C	103821847	1	CONTROL TRANSFORMER 230V 24/19	[3]
0C	301002458	1	REED CONTACT 8X75	[3]
0C	103822328	1	THERMAL RELAY 17-25AMP	[3]
0C	6100602	1	RETAINING RING	[3]
0C	107140615	1	FRONT BEARING COVER COMPLETE	[3]
0C	107120704	1	BEARING TRACK	[4]
0C	6301166	1	CERAMIC PISTON C3	[3]
0C	1802511	1	CIRCLIP 28X1.5 DIN471A	[3]
	107370963		OPTION STAINLESS STEEL PARTS SOLAR G/GH	

Part Notes:

- [1] - A
- [2] - B
- [3] - C
- [4] - C  
TSB-PPW-2019-007 C3 NA6 Wobble Disc and Bearing Track surface hardening change



No.	Part No.	Qty.	Description	Part Note
1	107318133	1	ELBOW 1/4 SS	
2	107317038	1	DRAIN PIPE	
3	1805100	2	HOSE CLIP 8-22MM	
4	5206065	1	AIR PRESSURE HOSE 1/2	
5	107318176	1	REP. KIT FOR DRAIN CAN	
6	301000616	1	OIL CONTAINER WITH LEVEL INDICATOR	
8	107318134	1	REDUCTION 1/2X1/4	
9	107318135	1	HOSE TAIL ELBOW 12X1/4	



